

PROMAN

Crushing Solutions by Professionals



PROMAN Infrastructure Services Pvt. Ltd.,

No.5, KIADB, Phase 2, Kumbalgodu, Bangalore - 560074

Mob: 09844262870/ 09844109666, Ph: 080 28437968/69/70, Fax: 080
28437971

Web-site: www.promaninfi.com; www.remcovsi.com; www.sotecma.es;

ABOUT PROMAN GROUP



- Established in 2001 mainly focusing on aggregate crushing and screening system, PROMAN ventured into allied areas of mineral processing comprising crushing, screening, batching, slag sand
- Around 2000 installations across India & Abroad.
- Design and Supply of Bulk Material Handling Equipment for Cement, Power, Ports, Mines, and various Minerals

PRODUCTS

- Wagon tipplers and Stacker Reclaimers - **Ashton Bulk UK (Technology Partner)**
- Apron Feeder - Tarma Spain **(Technology Partner)**
- Bulk Reception Unit - Tarma Spain **(Technology Partner)**
- Mobile Hopper for ship Unloading – Tarma Spain **(Technology Partner)**

INHOUSE CAPABILITY:

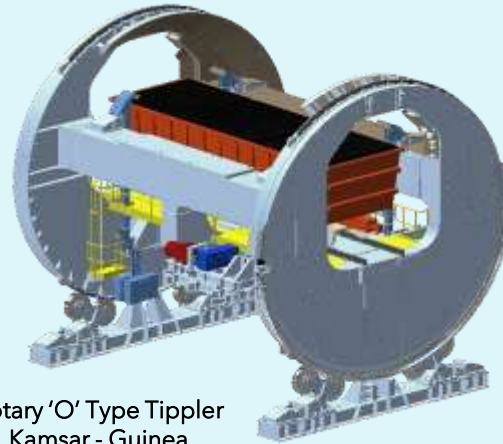
- Steep angle Conveyor
- Bucket Elevator
- Screw Conveyor
- Semi Mobile Crushing Plant
- Crushers – Jaw, Cone, VSI, VSG, Low-speed sizer, HSI
- Vibrating Feeders and Grizzly
- In-Plant Conveyors
- Reclaim Feeders
- **Radial Stacker**

Wagon Tippers

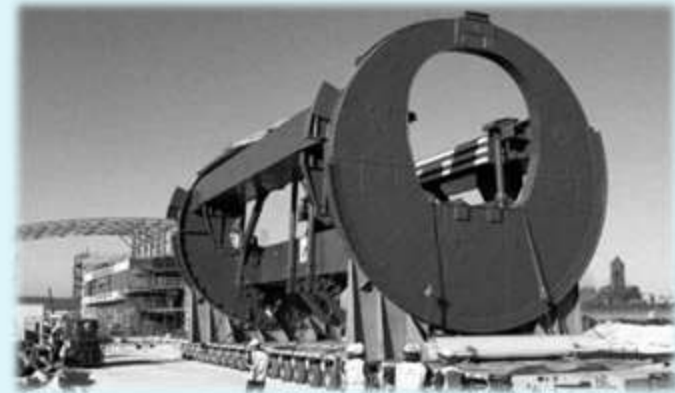
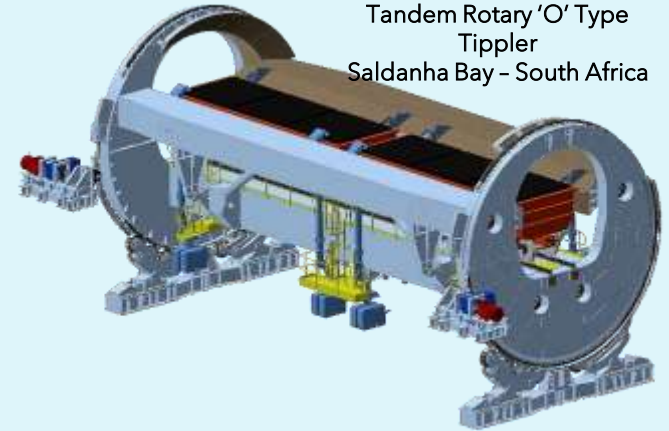
Side Unloading Tippler
Bathinda Refinery -
India



Rotary 'O' Type Tippler
Kamsar - Guinea

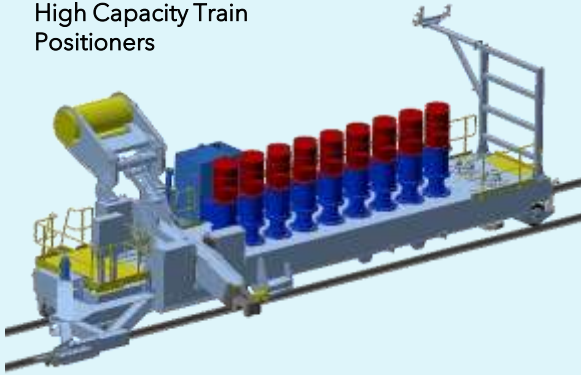


Tandem Rotary 'O' Type
Tippler
Saldanha Bay - South Africa

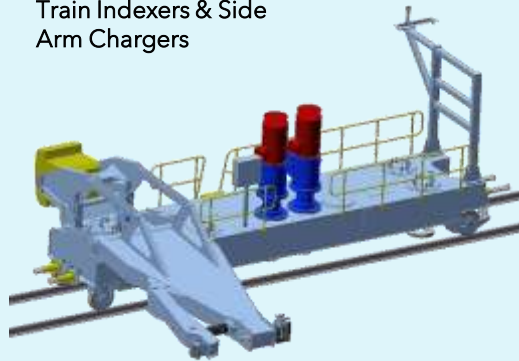


Train Moving & Holding Devices

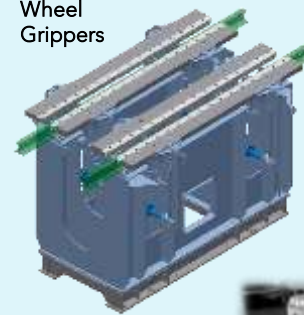
High Capacity Train Positioners



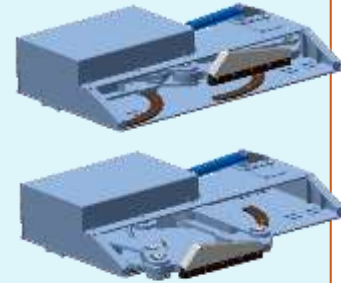
Train Indexers & Side Arm Chargers



Train Holding Devices:
Wheel Grippers



Wheel Chocks



FACILITY & CAPABILITIES



REGISTERED OFFICE - KUMBALGODU



LIGHT & MEDIUM DUTY FABRICATION UNIT – MAYAGANAHALLI



FACILITY & CAPABILITIES



HEAVY FABRICATION & ASSEMBLY UNIT - BIDADI



FACILITY & CAPABILITIES



➤ REGISTERED OFFICE - KUMBALGODU

Proman Infrastructure Services Pvt Ltd

No: 5, KIADB, Kumbalgodu, Phase 2 (On the Big Banyan Tree Road)

Bangalore – 560074, Karnataka, India

P: 0091-80-2843 7967/ 68/ 69 / +91 98442 62870

Email: mdo@promaninfi.com

➤ HEAVY FABRICATION & ASSEMBLY UNIT – BIDADI

Proman Infrastructure Services Pvt Ltd

Phase 2, Sector 1, Bidadi Industrial Area,

Bidadi - 562109, Karnataka, India

Email: mdo@promaninfi.com

➤ CENTRALIZED PARTS, WEAR HOUSE, CRUSHER OVERHAULING UNIT – KUMBALGODU

Proman Infrastructure Services Pvt Ltd

KIADB, Kumbalgodu, Phase 1

Bangalore – 560074, Karnataka, India

Email: mdo@promaninfi.com



Thank You !